

Thank you for purchasing this Croydex product. Please follow these care instructions to ensure your cistern lever retains its high quality finish - **and retain this leaflet for future reference.**

Tools Required

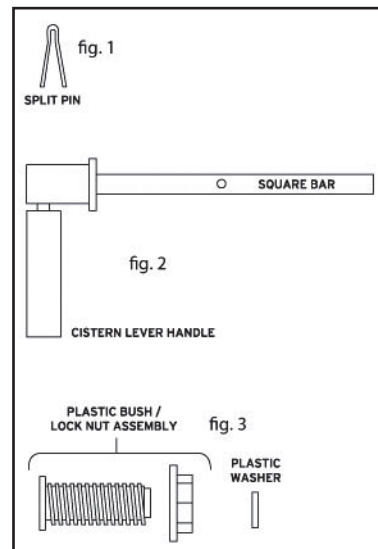
Pliers

Hacksaw (optional)

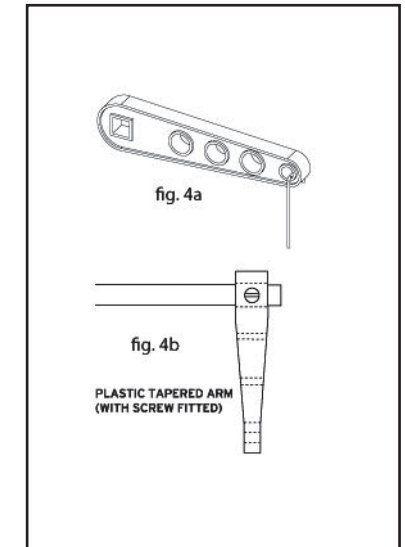
KEEP DIY TOOLS OUT OF THE REACH OF CHILDREN

Fitting Instructions

1. Ensure the toilet seat lid is down to prevent small parts from accidentally being knocked into the toilet whilst fitting cistern lever.
2. Carefully remove the lid from the cistern.
3. Remove your current cistern lever.
4. Remove the split pin from your new cistern lever using a pair of pliers (see figure 1) from the square bar (see figure 2) and remove the plastic bush/lock nut/washer assembly (see figure 3)
5. Remove the plastic lock nut (see figure 3) from the plastic bush assembly and insert the plastic bush through the hole into the cistern.
6. Secure into position with the plastic lock nut. **DO NOT OVERTIGHTEN – FINGER TIGHT ONLY**
7. Insert the square bar of the cistern lever handle (see figure 2) through the plastic bush assembly into the cistern. There must be a gap of at least 6mm (1/4") between the end of the square bar and the back of the cistern. If the square bar is too long remove the required amount using a hacksaw.



8. With the lever in position through the plastic bush assembly, insert the split pin through the hole in the square bar.
PLEASE NOTE : On some cistern lever styles the small plastic washer supplied may need to be used to ensure that the lever assembly is held tightly in place by the split pin. If required slide the plastic washer over the square metal bar prior to inserting the split pin.
9. Next attach the plastic tapered arm (see figure 4a) to the hook device on the flushing unit.
10. Hold the cistern lever handle in a horizontal position and slide the plastic tapered arm on to the square bar so that the far end is as horizontal as possible (see figure 4b).
11. When the handle is in the correct position, tighten the screw on the plastic tapered arm.
12. Check that the toilet flushes correctly.
13. Carefully replace the cistern lid.



IF IN DOUBT PLEASE CONSULT A QUALIFIED PLUMBER.

Product Care

To retain the best quality finish, clean product regularly with a soft cloth and mild detergents. Do not use abrasive or chemical cleaners as these will damage the product.

Croydex, Central Way, Andover, Hants, SP10 5AW, UK
Tel: +44 (0) 1264 365881. Fax: +44 (0) 1264 356437
Website: www.croydex.co.uk. E-mail: info@croydex.co.uk