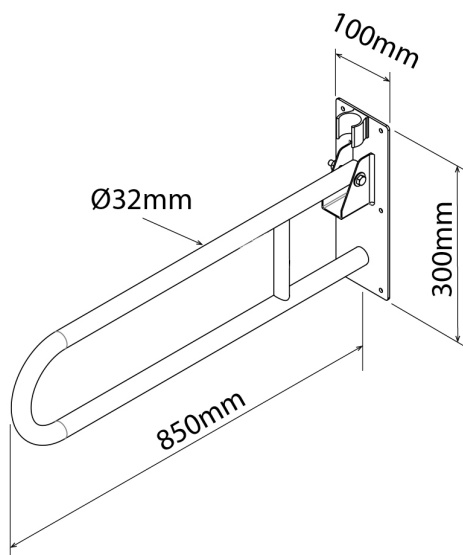


AP502822 - AP502841 - AP502831 - AP502834

FOLD AWAY HAND RAIL



GUARANTEE

Consumer Statutory Rights Apply

Tel: +44 (0) 1264 365881
Fax: +44 (0) 1264 356437
Email: info@croydex.co.uk
Web: www.croydex.com

Printed material, designs and packaging are protected by copyright and design right.

ILLUSTRATED

AP502822 Fold Away Hand Rail

CONFIGURATIONS

AP502822 Fold Away Hand Rail
AP502841 Fold Away Hand Rail
AP502831 Fold Away Hand Rail
AP502834 Fold Away Hand Rail

MATERIAL

Stainless Steel

COLOURS

Stainless steel version - Polished Stainless Steel
White version - Powder coated white RAL 9003
Blue version - Powder coated blue RAL 5011
Grey version - Powder coated grey Pantone 432C

WEIGHT

N/A

PACKAGING

Brown box & colour label.

FREQUENTLY USED APPLICATIONS

Residential
Hotels

FEATURES

32mm diameter bar for easier gripping.
Maximum loading is 130kg/286lbs/20st 6lbs when fitted to a solid wall.
Stainless steel.
Folds away vertically when not in use.
Fixings not included.

CARE AND MAINTENANCE

Clean surfaces with a damp cloth and wipe dry using a soft cloth.
Do not use chemical or abrasive cleaners as these may damage the surface finish.