

# WC257122 SIMPLICITY SINGLE DOOR CABINET



## ILLUSTRATED

WC257122 Simplicity Single Door Cabinet

## CONFIGURATIONS

### MATERIAL

FSC MDF

### COLOURS

White Nitrocellulose Paint

### WEIGHT

N/A

### PACKAGING

White Box with Colour Label

### FREQUENTLY USED APPLICATIONS

Residential

Hotels

### FEATURES

White MDF cabinet with mirrored door.

One adjustable shelf.

Magnetic push catch opening.

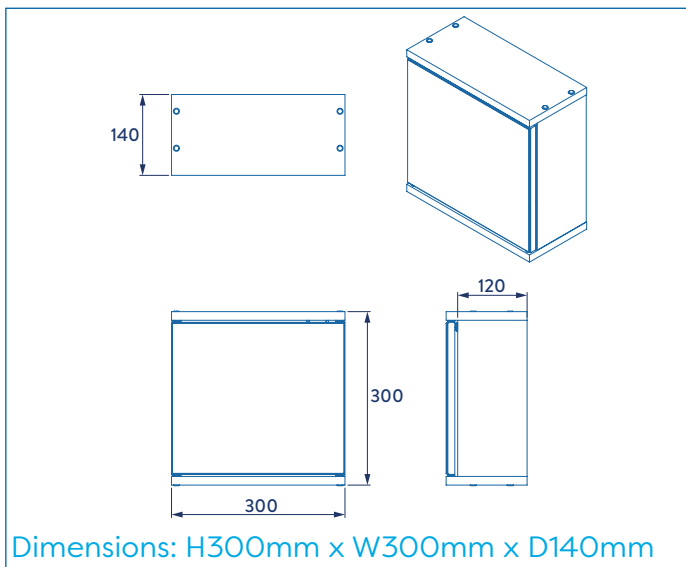
Simple self-assembly format.

All fixtures and fittings included.

### CARE AND MAINTENANCE

Clean surfaces with a damp cloth and wipe dry using a soft cloth.

Do not use chemical or abrasive cleaners as these may damage the surface finish.



## GUARANTEE

Consumer Statutory Rights Apply

Tel: +44 (0) 1264 365881  
Fax: +44 (0) 1264 356437  
Email: [info@croydex.co.uk](mailto:info@croydex.co.uk)  
Web: [www.croydex.com](http://www.croydex.com)

Printed material, designs and packaging are protected by copyright and design right.

Date Created:30/06/17 | REV 001