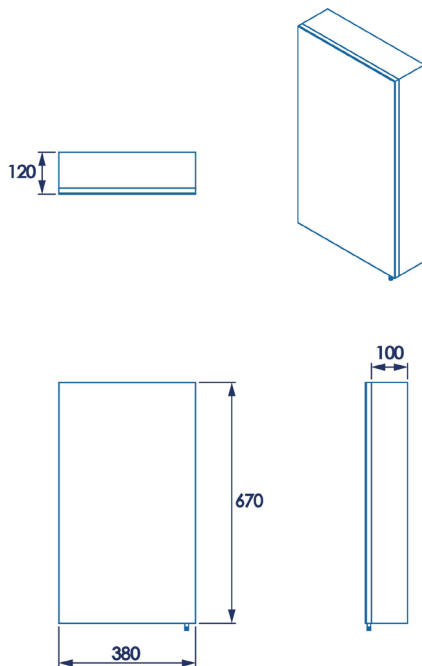


# WC746005 COLORADO SINGLE DOOR CABINET



Dimensions: H670mm x W5380mm x D120mm

## GUARANTEE

Consumer Statutory Rights Apply

Tel: +44 (0) 1264 365881  
Fax: +44 (0) 1264 356437  
Email: [info@croydex.co.uk](mailto:info@croydex.co.uk)  
Web: [www.croydex.com](http://www.croydex.com)

Printed material, designs and packaging are protected by copyright and design right.

## ILLUSTRATED

WC746005 Colorado Single Door Cabinet

## CONFIGURATIONS

### MATERIAL

304 Stainless Steel

Mirrored Glass

### COLOURS

Polished Stainless Steel

### WEIGHT

N/A

### PACKAGING

White Box with Colour Label

### FREQUENTLY USED APPLICATIONS

Residential

Hotels

Commercial

### FEATURES

Stainless steel cabinet with mirrored doors.

One adjustable Glass Shelves.

Storage box on inside door.

120° degree sprung hinges.

Pin Handle.

Internal MDF Carcass.

Supplied fully assembled.

All fixtures and fittings included.

### PERFORMANCE STANDARDS

Meets performance requirements of service condition 2.

BS EN ISO 9221:2017 - Corrosion Resistant (NSS 48hr salt spray, min. Grade 9)

### CARE AND MAINTENANCE

Clean surfaces with a damp cloth and wipe dry using a soft cloth.

Do not use chemical or abrasive cleaners as these may damage the surface finish.